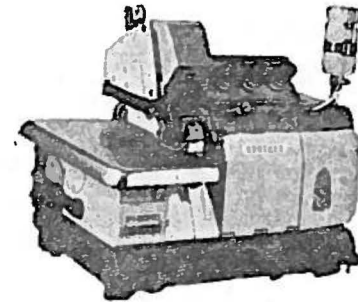


EF4-B956



**Please clarify Ref. No. and
Parts No. as well as parts name
When you place an order.**

I N D E X

B 956

Parts. No.	Ref.No.	Remark	Parts. No.	Ref.No.	Remark	Parts. No.	Ref.No.	Remark	Parts. No.	Ref.No.	Remark
003670-6-14	C-47		100105-0-02	J-5		101706-0-01	A-45		110495-0-01	A-44	
"	D-11		100130-0-01	A-18		"	D-26		110641-0-01	A-87	
"	F-31		100137-0-02	A-38		102538-0-06	A-49		110668-0-01	B-41	
005660-7-13	D-40		"	B-64		102843-0-04	A-10		110670-0-00	B-48	
009660-6-14	H-3		100185-0-03	A-24		"	A-11		110671-0-00	B-49	
009669-3-13	F-5		"	A-51		"	E-10		110672-0-00	B-50	
009670-5-16	A-98		"	G-7		104215-0-01	E-48		110673-0-00	B-51	
009681-0-14	A-20		"	G-11		104449-0-01	A-36		110686-0-01	B-15	
009681-2-12	D-88		"	G-38		104521-0-01	D-27		"	E-67	
009682-0-11	A-3		100185-0-04	A-58		104564-0-01	H-13		110704-0-01	C-9	
009682-0-14	A-22		"	A-65		104651-0-01	C-46		"	C-35	
009711-0-13	C-24		"	A-71		104767-0-02	D-68		110706-0-01	C-14	
013750-6-14	E-61		"	A-75		"	I-35		110735-0-01	A-8	
017751-4-13	C-16		"	F-2		104832-0-01	A-46		110793-0-01	E-23	
017771-2-12	D-14		"	F-16		104833-0-01	G-8		110806-0-01	E-39	
"	D-23		"	H-4		105034-0-02	C-10		"	I-9	
017771-4-12	B-16		"	H-19		"	C-36		110807-0-01	E-38	
"	C-5		100218-0-02	A-95		105078-0-01	B-22		"	I-8	
"	C-31		100242-0-02	A-14		105079-0-01	B-19		"	J-8	
"	C-51		100251-0-01	D-61		105123-0-01	F-28		110815-0-01	F-19	
"	D-10		100260-0-01	B-4		"	J-23		110816-0-01	F-17	
"	D-55		"	G-25		105163-0-01	D-29		110820-0-01	F-23	
"	E-19		100264-0-02	B-67		105173-0-03	G-40		110821-0-01	F-25	
"	E-64		100289-0-01	C-2		105228-0-01	F-18		110822-0-01	F-26	
017782-0-14	B-60		"	C-28		105827-0-01	C-20		110832-0-01	F-32	
017822-2-13	A-85		100366-0-01	B-9		106069-0-01	C-25		111104-0-01	D-63	
046301-8-20	G-28		"	B-13		106069-0-03	E-33		"	I-31	
047200-8-47	E-9		"	E-69		106129-0-01	B-61		111443-0-01	A-94	
048050-3-47	H-31		100368-0-02	B-47		106556-0-01	E-56		"	C-17	
048080-3-46	E-24		100469-0-02	A-53		106568-0-01	I-26		"	C-30	
048170-1-43	I-43		100539-0-03	D-57		107153-0-01	G-26		111486-0-01	B-58	
"	D-76		100541-0-01	B-20		107244-0-01	B-52		111865-0-01	A-93	
072600-0-30	B-33		"	G-10		107272-0-02	A-28		112297-0-11	B-32	
081004-0-70	H-29		100541-0-02	B-66		107351-0-01	B-59		112299-0-01	F-7	
100016-0-03	B-46		"	D-1		107407-0-02	D-87		112300-0-01	F-6	
100025-0-01	D-77		"	E-30		107491-0-02	I-21		112301-0-01	F-8	
100032-0-01	A-40		"	E-41		108721-0-01	F-21		112348-0-01	A-91	
"	B-57		100541-0-03	A-2		109203-0-01	A-86		"	G-2	
100035-0-01	F-12		"	A-5		109574-0-01	D-79		"	G-15	
100035-0-02	H-32		100579-0-02	D-21		109814-0-01	F-20		"	G-17	
100080-0-02	E-37		100644-0-03	A-81		109836-0-01	D-17		"	G-22	
"	I-7		100645-0-03	E-71		110161-0-04	D-2		"	H-15	
"	J-7		101552-0-01	B-62		"	E-32		112351-0-01	G-20	
100105-0-02	E-34		101629-0-02	I-27		"	H-27		112364-0-01	G-5	
"	I-5		"	J-28		110191-0-01	H-26		"	G-16	

INDEX

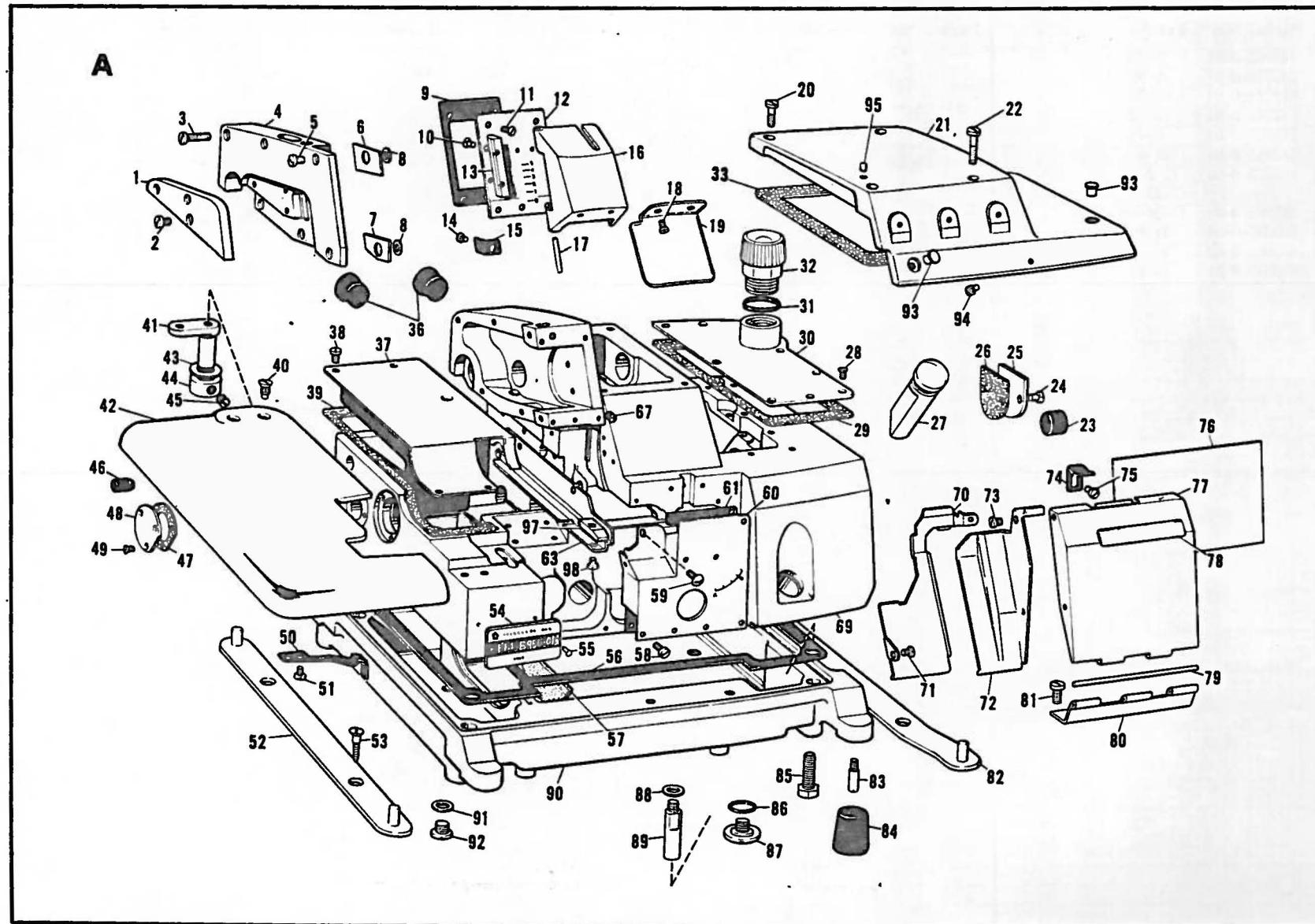
B 956

Parts. No.	Ref.No.	Remark	Parts. No.	Ref.No.	Remark	Parts. No.	Ref.No.	Remark	Parts. No.	Ref.No.	Remark
112364-0-01	G-21		140070-0-01	A-57		140127-0-01	C-48		140209-0-01	D-36	
112467-0-01	A-92		140071-0-01	A-84		140128-0-01	C-49~50		140210-0-01	D-34	
112751-0-01	A-59		140072-0-01	A-82		140129-0-01	C-6~8		140211-0-01	D-14~19	
112836-0-01	J-26		140075-0-01	A-52		140130-0-01	C-6		140212-0-01	D-16	
113392-0-01	E-4		140077-0-01	A-83		140131-0-01	C-18		140213-0-01	D-19	
113431-0-02	D-3		140083-0-01	A-61		140152-0-01	A-7		140214-0-01	D-18	
114294-0-01	B-36		140084-0-00	B-43		140163-0-01	C-66		140215-0-01	D-42	
114727-0-01	J-9		140085-0-02	B-15		"	I-34		140216-0-01	D-43	
114855-0-01	J-25		140086-0-01	B-11~15		140165-0-01	D-71		140217-0-01	D-45	
115811-0-01	A-73		140087-0-01	B-14		"	I-38		140226-0-01	D-58	
116231-0-01	A-55		140088-0-01	B-11		140166-0-00	C-65		140228-0-01	D-4	
116662-0-01	D-59		140089-0-01	B-12		"	I-33		140229-0-01	D-5	
116778-0-01	C-3		140090-0-01	B-7		140167-0-00	D-70		140230-0-01	E-65~69	
"	C-27		140091-0-00	B-17		"	I-37		140231-0-00	E-68	
117026-0-01	A-100		140092-0-01	B-8		140168-0-01	D-69		140232-0-01	E-65	
117515-0-01	E-51		140093-0-00	B-3		140169-0-01	D-72		140233-0-01	E-66	
117516-0-01	E-50		140094-0-01	B-24		"	I-39		140235-0-00	E-60	
117666-0-01	B-31		140095-0-01	B-1		140173-0-01	D-74		140236-0-01	E-62	
118527-0-01	E-49		140096-0-01	B-26		"	I-41		140238-0-01	E-58	
120048-0-02	E-1		140097-0-01	B-2		140174-0-01	D-75		140240-0-01	E-54	
"	E-3		140098-0-01	B-25		"	I-42		140241-0-01	E-53	
120823-0-01	E-45		140099-0-01	B-28		140176-0-01	D-64		"	I-13	
140032-0-01	A-32		140100-0-01	B-29		"	I-32		140242-0-01	E-55	
140033-0-01	A-31		140102-0-01	F-3		140178-0-01	D-9		"	I-12	
140034-0-02	A-4		140103-0-01	F-1		140179-0-01	D-8		140246-0-01	E-43	
140035-0-02	A-1		140106-0-01	B-54		140180-0-01	B-44		140247-0-01	E-47	
140036-0-01	A-6		140109-0-01	A-25		140182-0-01	D-78		140248-0-01	E-42	
140037-0-02	A-13~17		140110-0-00	A-26		140183-0-01	D-80		140249-0-01	E-14	
140038-0-02	A-16		140111-0-01	C-32~34		140184-0-01	D-7		140250-0-01	E-15	
140039-0-01	A-13		140112-0-00	C-8		140185-0-00	D-6		140251-0-01	E-16	
140040-0-01	A-17		"	C-34		140186-0-00	D-24		140252-0-01	E-8	
140041-0-01	A-15		140113-0-01	C-32		140187-0-00	A-47		140253-0-01	E-11	
140042-0-01	A-12		140114-0-00	C-19		140188-0-02	A-48		140254-0-01	E-13	
140043-0-01	A-9		140115-0-01	C-41		140189-0-01	D-36~37		140255-0-01	E-12	
140045-0-01	A-37		140116-0-00	C-1		140190-0-01	D-37		140261-0-01	E-20	
140048-0-01	A-39		"	C-26		140191-0-01	D-38		140262-0-00	E-25	
140054-0-03	A-77		140117-0-01	C-38		140193-0-01	D-90		140263-0-00	E-18	
140055-0-01	A-80		140118-0-00	C-13		140196-0-00	D-83		140264-0-01	E-17	
140056-0-01	A-79		"	C-39		140197-0-01	D-85		140267-0-01	E-6	
140057-0-01	A-74		140119-0-01	C-44		140202-0-01	D-28		140277-0-01	E-31	
140063-0-01	B-56		140120-0-01	C-45		140203-0-01	D-39		140278-0-01	F-24	
140064-0-01	A-27		140121-0-01	C-49		140205-0-01	D-22		140281-0-01	F-13	
140065-0-01	A-23		140122-0-01	C-50		140207-0-01	D-35		140282-0-01	F-14	
140067-0-01	A-89		140124-0-01	C-21		140208-0-01	D-32		140284-0-01	F-15	
140069-0-01	A-56		140125-0-01	C-23		"	D-44		140286-0-01	F-30	

I N D E X

B 956

Parts. No.	Ref.No.	Remark	Parts. No.	Ref.No.	Remark	Parts. No.	Ref.No.	Remark	Parts. No.	Ref.No.	Remark
140301-0-00	B-24		140458-0-01	E-44		142200-0-01	J-10		143158-0-01	I-22~24	
140302-0-01	G-24~39		140459-0-01	E-7		142201-0-01	I-4		143160-0-01	I-25	
140303-0-01	G-32		140460-0-01	G-34~40		142229-0-01	H-30		143161-0-01	I-24	
140304-0-01	G-30		140461-0-01	E-36		142260-0-01	D-62		143168-0-01	F-27	
140305-0-01	G-33		140462-0-01	E-40		"	I-30		143174-0-01	B-37	
140306-0-01	G-27		140463-0-01	E-35		142277-0-01	J-11		143179-0-01	B-40	
140307-0-00	G-29		140468-0-01	G-31		142281-0-01	H-16		143183-0-01	B-38	
140308-0-00	G-34		140504-0-01	E-5		142282-0-01	H-12		143266-0-01	A-54	
140309-0-00	G-35		140708-0-00	C-11		142284-0-01	H-19		143267-0-01	A-54	
140310-0-01	G-36		"	C-37		142285-0-01	H-2		143268-0-01	J-29	
140311-0-00	G-37		140758-0-00	A-88		142286-0-01	H-1		143269-0-01	J-30	
140312-0-01	G-39		140764-0-01	G-12		142288-0-01	H-7		143287-0-01	D-60	
140314-0-01	G-9		140768-0-01	G-14		142289-0-01	H-9		143292-0-02	A-21	
140317-0-00	E-63		140771-0-01	D-31		142290-0-01	H-8		143293-0-01	A-33	
140320-0-00	B-10		140772-0-01	D-41		142292-0-01	H-17		143294-0-02	A-90	
140325-0-01	G-1		140774-0-00	C-52		142294-0-02	B-55		143311-0-01	B-35	
140326-0-01	B-6		"	D-30		142313-0-01	C-12		143312-0-01	B-34	
"	B-23		"	D-46		142316-0-01	H-23		143320-0-01	E-59	
"	H-11		140775-0-01	D-56		142317-0-01	H-14		143323-0-01	E-28	
140327-0-01	B-18		140778-0-01	G-18		142318-0-00	H-18		143324-0-01	E-26	
"	C-4		140780-0-01	G-3		142321-0-01	H-22		143325-0-01	E-29	
"	C-40		"	G-19		142330-0-01	H-28		143326-0-01	E-22	
140328-0-01	A-72		140781-0-01	G-4		142346-0-01	B-53		143327-0-01	E-21	
140341-0-01	A-70		140782-0-01	G-13		142348-0-01	H-15		143371-0-01	A-41, 42	
140415-0-00	B-21		"	G-23		142412-0-00	H-10		143372-0-01	A-42	
140416-0-00	C-42		140888-0-01	E-2		142574-0-01	D-84		143374-0-01	A-41	
140417-0-00	A-66		140913-0-01	A-19		142588-0-01	D-54		143375-0-01	A-50	
"	C-43		140928-0-01	D-25		142589-0-01	D-13		143442-0-01	E-70	
140418-0-00	B-5		141183-0-00	A-43		142590-0-01	C-7		143534-0-01	G-6	
140419-0-00	C-22		141188-0-01	D-12		"	C-33		143536-0-01	A-30	
140420-0-00	D-15		142119-0-01	E-27		142602-0-01	F-4		143537-0-01	A-29	
140421-0-01	A-67		142182-0-01	A-60		142669-0-01	F-11		143544-0-01	I-28	
140425-0-01	B-27		142184-0-01	J-20~27		142673-0-01	D-81		143545-0-02	I-29	
140444-0-01	B-53		142185-0-01	J-24		142674-0-00	D-82		143551-0-02	A-69	
140445-0-01	B-53		142186-0-01	J-27		142762-0-01	I-6		143552-0-01	J-20~22	
140446-0-01	B-53		142190-0-01	B-30, 31		"	J-6		143564-0-01	D-33	
140447-0-01	I-30~43		142191-0-01	J-15		142787-0-01	H-24		143565-0-01	D-20	
140448-0-01	I-40		142192-0-01	J-15		143150-0-01	I-15		143703-0-01	A-63	
140450-0-01	D-91		142193-0-01	D-62~76		143151-0-01	I-14		143704-0-01	A-97	
"	J-18		142194-0-01	D-73		143152-0-01	I-19		143733-0-01	C-29	
140451-0-01	I-18		142196-0-01	J-17		143153-0-01	I-5~11		143752-0-01	B-65	
140452-0-01	D-89		142197-0-01	D-92		143154-0-01	I-11		143753-0-01	B-63	
140453-0-10	I-17		"	J-19		143155-0-01	I-10		143757-0-01	F-9	
140455-0-01	E-57		142198-0-01	J-12		143156-0-01	I-20~26		143759-0-01	C-15	
140457-0-01	E-52		142199-0-01	J-5~11		143157-0-01	I-20		143760-0-01	H-5	



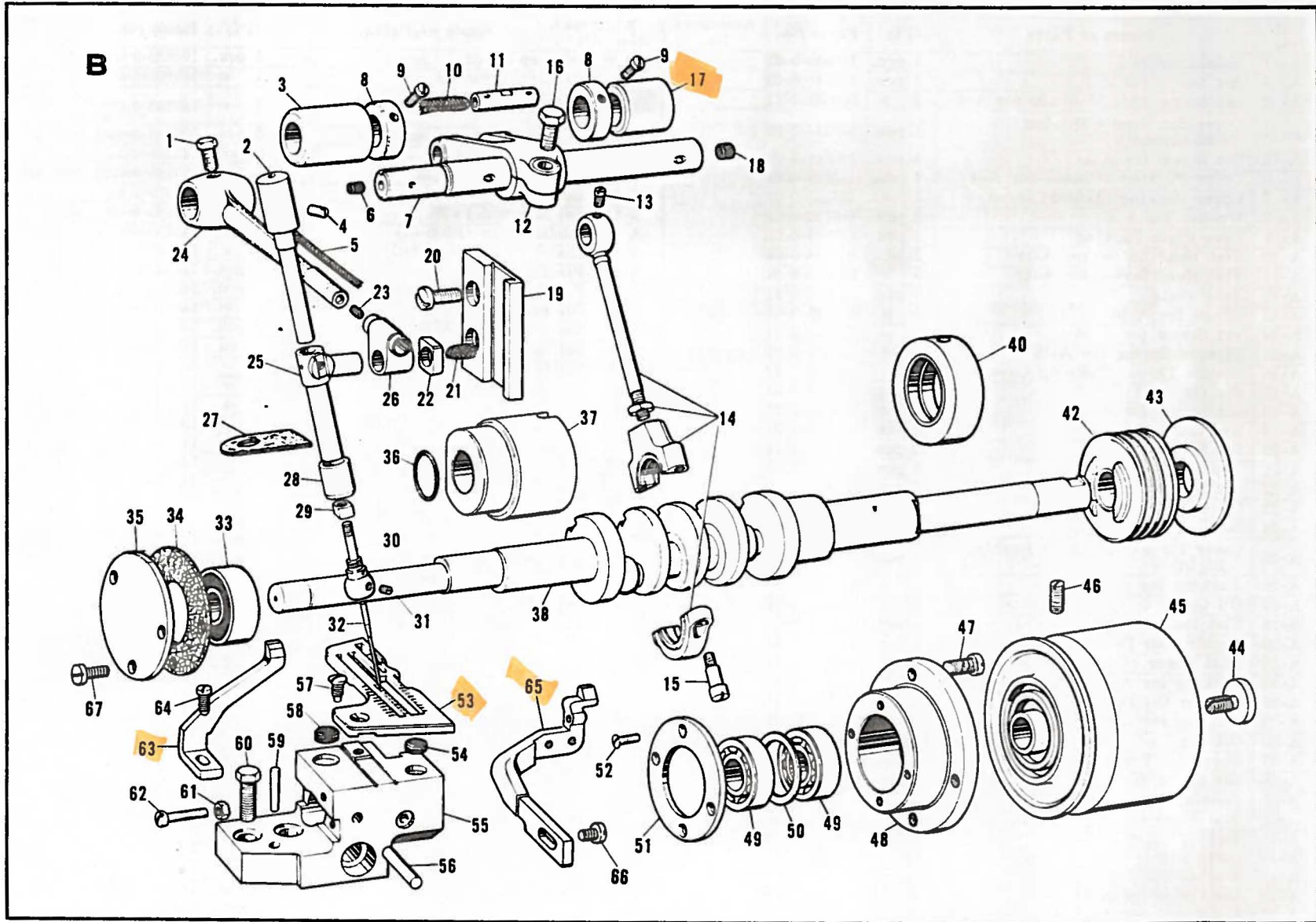
PARTS LIST for EF4-B956-01 and -01C

A 3

Ref. No.	Name of Parts	Q'ty	Parts No.	Assembly No.	Ref. No.	Name of Parts	Q'ty	Parts No.	Assembly No.
A-1	Shield for A-4	1 pce.	140035-0-02		A-46	Oil Cap	1 pce.	104832-0-01	
A-2	Set Screw for A-1	3 pcs.	100541-0-03		A-47	Packing for A-48	1 /	140187-0-00	
A-3	Set Screw SM4.37-40x20 for A-4	2 /	009682-0-11		A-48	Cover for Feed Shaft Bushing (Left)	1 /	140188-0-02	
A-4	Cover for Needle Driving Mechanism	1 pce.	140034-0-02		A-49	Flat Head Serew for A-48	3 pcs.	102538-0-06	
A-5	Set Screw for A-4	4 pcs.	100541-0-03		A-50	Stopper Spring for A-42	1 pce.	143375-0-01	
A-6	Cover Packing (Upper) for A-4	1 pce.	140036-0-01		A-51	Set Screw for A-50	2 pcs.	100185-0-03	
A-7	Cover Packing (Lower) for A-4	1 /	140152-0-01		A-52	Cushion Base (Left)	1 pce.	140075-0-01	
A-8	Washer for A-4	2 pcs.	110735-0-01		A-53	Set Screw 5.1x26	4 pcs.	100469-0-02	
A-9	Face Plate Packing	1 pce.	140043-0-01		A-54	Model Plate (B956-01)	1 pce.	143266-0-01	
A-10	Flat Head Screw for A-11	2 pcs.	102843-0-04		A-54	Model Plate (B956-01C)	1 /	143267-0-01	
A-11	Flat Head Screw for A-12	5 /	102843-0-04		A-55	Pin for A-54	2 pcs.	116231-0-01	
A-12	Face Plate	1 pce.	140042-0-01		A-56	Packing for Oil Reservoir	1 pce.	140069-0-01	
A-13	Hinge for A-16	1 /	140039-0-01		A-57	Oil Filter	1 /	140070-0-01	
A-14	Set Screw for A-15	1 /	100242-0-02		A-58	Set Screw for A-60	5 pcs.	100185-0-04	
A-15	Stopper Spring for A-16	1 /	140041-0-01	140037-0-02	A-59	Set Screw for A-60	1 pce.	112751-0-01	
A-16	Needle Thread Take-up Cover	1 /	140038-0-02		A-60	Inside Cover	1 /	142182-0-01	
A-17	Pin for A-11	2 pcs.	140040-0-01		A-61	Packing for A-60	1 /	140083-0-01	
A-18	Set Screw for A-19	2 /	100130-0-01		A-63	Cloth Guide	1 /	143703-0-01	
A-19	Eye Guard	1 pce.	140913-0-01		A-65	Flat Head Screw for A-63	2 pcs.	100185-0-04	
A-20	Set Screw for A-21	2 pcs.	009681-0-14		A-66	Wick 6x6	1 pce.	140417-0-00	
A-21	Top Cover	1 pce.	143292-0-02		A-67	Oil Cap 6.3x10	1 /	140421-0-01	
A-22	Set Screw for A-21	2 pcs.	009682-0-14		A-69	Machine Body	1 /	143551-0-02	
A-23	Oil Cap 14.3x10	2 /	140065-0-01		A-70	Looper Cover (A)	1 /	140341-0-01	
A-24	Set Screw for A-25	2 /	100185-0-03		A-71	Set Screw for A-70	2 pcs.	100185-0-04	
A-25	Cover for Needle Shaft Bushing (Right)	1 pce.	140109-0-01		A-72	Looper Cover (B)	1 pce.	140328-0-01	
A-26	Packing for A-25	1 /	140110-0-00		A-73	Set Screw for A-72	2 pcs.	115811-0-01	
A-27	Oil Gauge	1 /	140064-0-01		A-74	Stopper Spring for A-77	1 pce.	140057-0-01	
A-28	Flat Head Screw for A-30	10 pcs.	107272-0-02		A-75	Set Screw for A-74	1 /	100185-0-04	
A-29	Packing for Dust Cover (Right)	1 pce.	143537-0-01		A-76	Threading Diagram for Three Threads	1 /	143781-0-01	
A-30	Dust Cover (Right)	1 /	143536-0-01		A-77	Front Cover	1 /	140054-0-03	
A-31	Packing for A-32	1 /	140033-0-01		A-78	Name Plate	1 /	143774-0-01	
A-32	Cap for Oil Feeding Hole	1 /	140032-0-01		A-79	Pin for A-80	1 /	140056-0-01	
A-33	Packing for A-21	1 /	143293-0-01		A-80	Hinge for Front Cover	1 /	140055-0-01	
A-36	Oil Cap	2 pcs.	104449-0-01		A-81	Set Screw for A-80	2 pcs.	100644-0-03	
A-37	Cover for Feed Mechanism	1 pce.	140045-0-01		A-82	Cushion Base (Right)	1 pce.	140072-0-01	
A-38	Set Screw for A-37	4 pcs.	100137-0-02		A-83	Set Pin for Cushion	4 pcs.	140077-0-01	
A-39	Packing for A-37	1 pce.	140048-0-00		A-84	Cushion	4 /	140071-0-01	
A-40	Flat Head Screw for A-42	2 pcs.	100032-0-01		A-85	Hexagonal Bolt SM 7.94-28x22	4 /	017822-2-13	
A-41	Cloth Plate Supporter	1 pce.	143374-0-01	143371-0-01	A-86	Rubber Packing for A-87	1 pce.	109203-0-01	
A-42	Cloth Plate	1 /	143372-0-01		A-87	Set Screw for A-86	1 /	110641-0-01	
A-43	Washer for A-44	1 /	141183-0-00		A-88	Washer for A-89	4 pcs.	140758-0-00	
A-44	Set Collar for A-41	1 /	110495-0-01		A-89	Machine Body Leg	4 /	140067-0-01	
A-45	Set Screw for A-44	2 pcs.	101706-0-01		A-90	Oil Reservoir	1 pce.	143294-0-02	

PARTS LIST for EF4-B956-01 and -01C

Ref. No.	Name of Parts	Q'ty	Parts No.	Assembly No.	Ref. No.	Name of Parts	Q'ty	Parts No.	Assembly No.
A-91	Packing	1 pce.	112348-0-01						
A-92	Oil Draining Screw	1 /	112467-0-01						
A-93	Cap	2 pcs.	111865-0-01						
A-94	Set Screw	1 pce.	111443-0-01						
A-95	Set Screw	1 /	100218-0-02						
A-97	Chain Guide	1 /	143704-0-01						
A-98	Set Screw for A-97	1 /	009670-5-16						

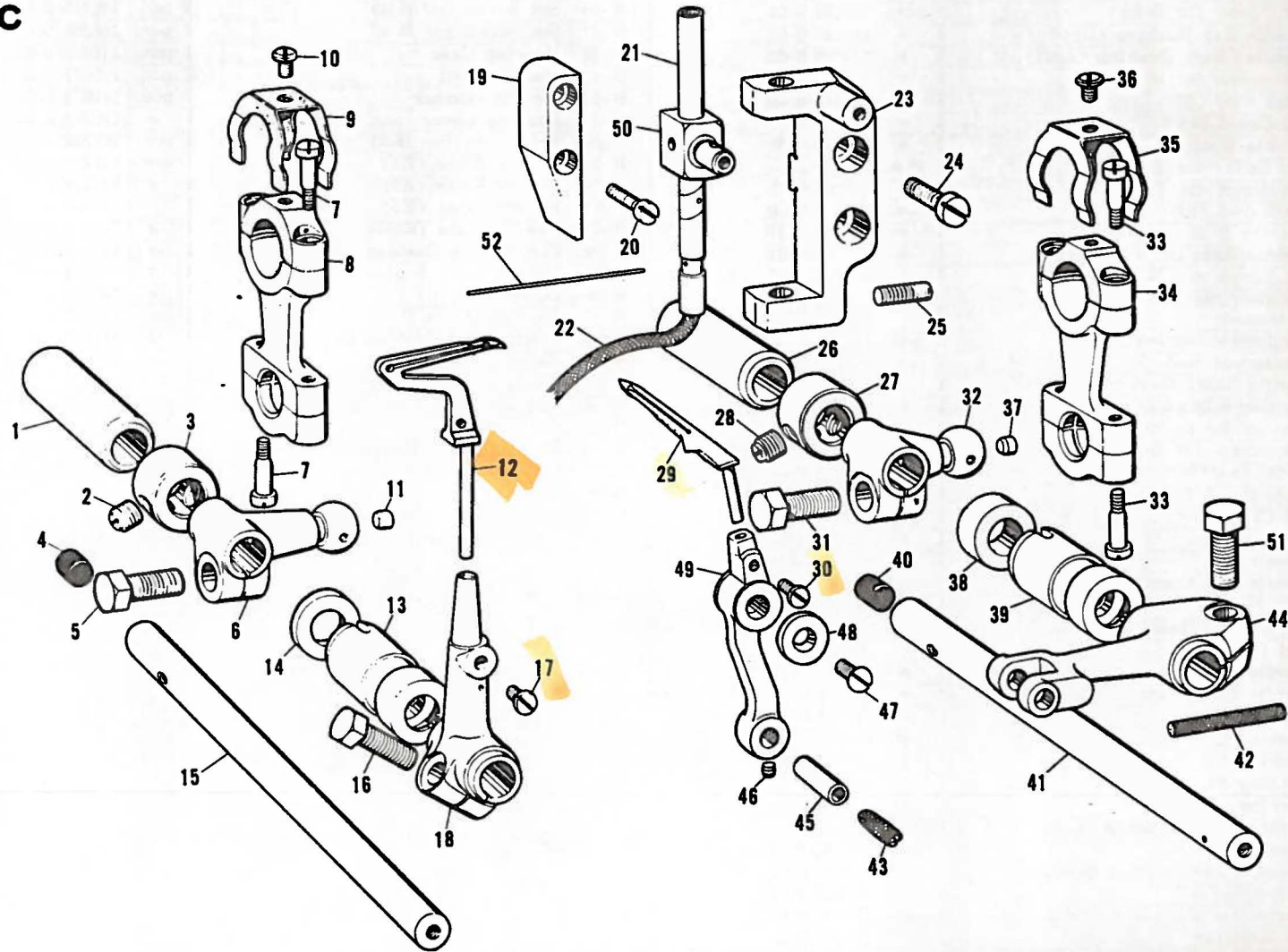


PARTS LIST for EF4-B956-01 and -01C

B 5

Ref. No.	Name of Parts	Q'ty	Parts No.	Assembly No.	Ref. No.	Name of Parts	Q'ty	Parts No.	Assembly No.
B-1	Set Screw for B-24	1 pce.	140095-0-01		B-46	Set Screw for B-45	2 pcs.	100016-0-03	
B-2	Needle Bar Bushing (Upper)	1 //	140097-0-01		B-47	Set Screw for B-48	4 pcs.	100368-0-02	
B-3	Needle Shaft Bushing (Left)	1 //	140093-0-00		B-48	Bearing Case	1 pce.	110670-0-00	
B-4	Set Screw for B-3	1 //	100260-0-01		B-49	Bearing 6001	2 pcs.	110671-0-00	
B-5	Wick 6x6 (56)	1 //	140418-0-00		B-50	Thrust Washer	1 pce.	110672-0-00	
B-6	Oil Cap 3.3φx5	1 //	140326-0-01		B-51	Bearing Cover	1 //	110673-0-00	
B-7	Needle Shaft	1 //	140090-0-01		B-52	Set Screw for B-51	4 pcs.	107244-0-01	
B-8	Set Collar for B-7	2 pcs.	140092-0-01		B-53	Needle Plate (K4)	1 pce.	140445-0-01	✓
B-9	Set Screw for B-8	4 //	100366-0-01		B-53	Needle Plate (K3)	1 //	140444-0-01	✓
B-10	Wick 6x6 (52)	1 pce.	140320-0-00		B-53	Needle Plate (K5)	1 //	140446-0-01	✓
B-11	Pin for B-12	1 //	140088-0-01		B-53	Needle Plate (K5H)	1 //	142346-0-01	
B-12	Needle Arm Driving Lever	1 //	140089-0-01		B-54	Cloth Plate Cushion (A)	1 //	140106-0-01	
B-13	Set Screw for B-14	1 //	100366-0-01	140086-0-01	B-55	Needle Plate Support Bracket	1 //	142294-0-02	
B-14	Needle Arm Driving Crank Assembly	1 //	140087-0-01		B-56	Dowel Pin	1 //	140063-0-01	
B-15	Set Screw for S-14	2 pcs.	110686-0-01		B-57	Set Screw for B-53	1 //	100032-0-01	
B-16	Hexagonal Bolt SM 6.35-40x14	1 pce.	017771-4-12		B-58	Cloth Plate Cushion (B)	1 //	111486-0-01	
B-17	Needle Shaft Bushing (Right)	1 //	140091-0-00		B-59	Taper Pin 3.5x24	1 //	107351-0-01	
B-18	Oil Cap 6.3φx5	1 //	140327-0-01		B-60	Hexagonal Bolt SM 6.35-28x20	2 pcs.	017782-0-14	
B-19	Needle Bar Guide	1 //	105079-0-01		B-61	Nut for B-62	1 pce.	106129-0-01	
B-20	Set Screw for B-19	2 pcs.	100541-0-01		B-62	Set Screw for B-55	1 //	101552-0-01	
B-21	Wick 4x4 (30)	2 //	140415-0-00		B-63	Overlock Stitch Needle Guard (A)	1 //	143753-0-01	
B-22	Slide Block for B-19	1 pce.	105078-0-01		B-64	Set Screw for B-63	1 //	100137-0-02	
B-23	Oil Cap 3.3φx5	1 //	140326-0-01		B-65	Overlock Stitch Needle Guard (B)	1 //	143752-0-01	
B-24	Needle Arm	1 //	140094-0-01		B-66	Set Screw for B-65	1 //	100541-0-02	
B-25	Needle Bar	1 //	140098-0-01		B-67	Set Screw for B-35	3 pcs.	100264-0-02	
B-26	Needle Bar Connector	1 //	140096-0-01						
B-27	Felt for B-28	1 //	140425-0-01						
B-28	Needle Bar Bushing (Lower)	1 //	140099-0-00						
B-29	Nut for B-30	1 //	140100-0-01						
B-30	Needle Clamp	1 //	143762-0-01						
B-31	Needle Set Screw for B-30	1 //	117666-0-01	142190-0-01					
B-32	Needle DCx1	1 //	112297-0-11						
B-33	Bearing 6000D	1 //	072600-0-30						
B-34	Packing for B-35	1 //	143312-0-01						
B-35	Bearing Plate	1 //	143311-0-01						
B-36	Packing	1 //	114294-0-01						
B-37	Crank Shaft Bushing (Left)	1 //	143174-0-01						
B-38	Crank Shaft	1 //	143183-0-01						
B-40	Crank Shaft Bushing (Centre)	1 //	143179-0-01						
B-41	Screw for B-40	1 //	110668-0-01						
B-42	Worm	1 //	140300-0-01						
B-43	Oil Rejector	1 //	140084-0-00						
B-44	Cap Screw for B-45	1 //	140180-0-01						
B-45	Pulley	1 //	140085-0-02						

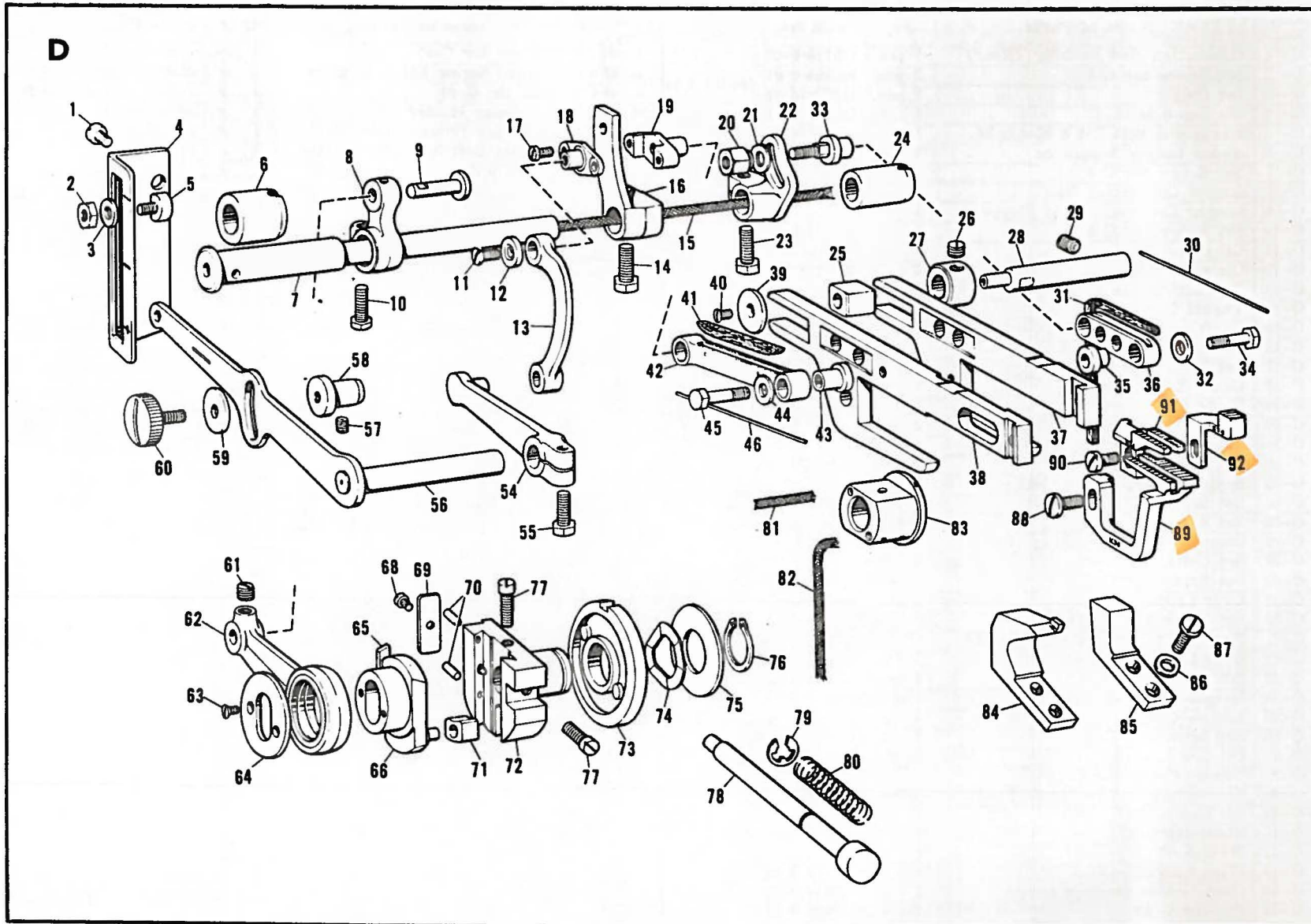
C



PARTS LIST for EF4-B956-01 and -01C

C 7

Ref. No.	Name of Parts	Q'ty	Parts No.	Assembly No.	Ref. No.	Name of Parts	Q'ty	Parts No.	Assembly No.
C-1	Connecting Rod Bushing (Rear)	1 pce.	140116-0-00		C-46	Set Screw for C-45	1 pce.	104651-0-01	
C-2	Set Screw for C-3	2 pcs.	100289-0-01	180323-0-01	C-47	Flat Head Screw SM 3.47-40x6	1 /	003670-6-14	
C-3	Set Collar	1 pce.	116778-0-01		C-48	Washer for C-49	1 /	140127-0-01	140128-0-01
C-4	Oil Cap 6.3φx5	1 /	140327-0-01		C-49	Over Looper Holder	1 /	140121-0-01	
C-5	Hexagonal Bolt SM 6.35-40x14	1 /	017771-4-12		C-50	Over Looper Holder Slide Block	1 /	140122-0-01	
C-6	Under Looper Supporter	1 /	140130-0-01		C-51	Hexagonal Bolt SM 6.35-40x14	1 /	017771-4-12	
C-7	Set Screw for C-8	4 pcs.	142590-0-01	140129-0-01	C-52	Long Pin 0.32x70	1 /	140774-0-00	
C-8	Looper Connecting Rod	1 pce.	140112-0-00						
C-9	Looper Connecting Rod Stopper	1 /	110704-0-01						
C-10	Set Screw for C-9	1 /	105034-0-02						
C-11	Oil Cap 3.5φx3	1 /	140708-0-00						
C-12	Under Looper	1 /	142313-0-01						
C-13	Connecting Rod Bushing (Front)	1 /	140118-0-00						
C-14	Thrust Collar for C-15	1 /	110706-0-01						
C-15	Shaft for C-6	1 /	143759-0-01						
C-16	Hexagonal Bolt SM 5.56-32x14	1 /	017751-4-13						
C-17	Set Screw for C-12	1 /	111443-0-01						
C-18	Under Looper Holder	1 /	140131-0-01						
C-19	Guide for C-22	1 /	140114-0-00						
C-20	Set Screw for C-19	2 pcs.	105827-0-01						
C-21	Over Looper Holder Guide Shaft	1 pce.	140124-0-01						
C-22	Wick 6x6 (90)	1 /	140419-0-00						
C-23	Supporting Block for C-21	1 /	140125-0-01						
C-24	Set Screw SM 4.76-32x10	2 pcs.	009711-0-13						
C-25	Set Screw for C-21	1 pce.	106069-0-01						
C-26	Connecting Rod Bushing (Rear)	1 /	140116-0-00						
C-27	Set Collar for C-26	1 /	116778-0-01	180323-0-01					
C-28	Set Screw for C-27	2 pcs.	100288-0-03						
C-29	Over Looper	1 pce.	143733-0-01						
C-30	Set Screw for C-29	1 /	111443-0-01						
C-31	Hexagonal Bolt SM 6.35-40x14	1 /	017771-4-12						
C-32	Over Looper Supporter	1 /	140113-0-01						
C-33	Set Screw for C-34	4 pcs.	142590-0-01	140111-0-01					
C-34	Looper Connecting Rod	1 pce.	140112-0-00						
C-35	Looper Connecting Rod Stopper	1 /	110704-0-01						
C-36	Set Screw for C-35	1 /	105034-0-02						
C-37	Oil Cap 3.5φx3	1 /	140708-0-00						
C-38	Thrust Collar for C-41	1 /	140117-0-01						
C-39	Connecting Rod Bushing (Front)	1 /	140118-0-00						
C-40	Oil Cap 6.3φx5	1 /	140327-0-01						
C-41	Shaft for C-32	1 /	140115-0-01						
C-42	Wick 6x6 (27)	1 /	140416-0-00						
C-43	Wick 6x6 (32)	1 /	140417-0-00						
C-44	Over Looper Driving Lever	1 /	140119-0-01						
C-45	Pin for C-49	1 /	140120-0-01						

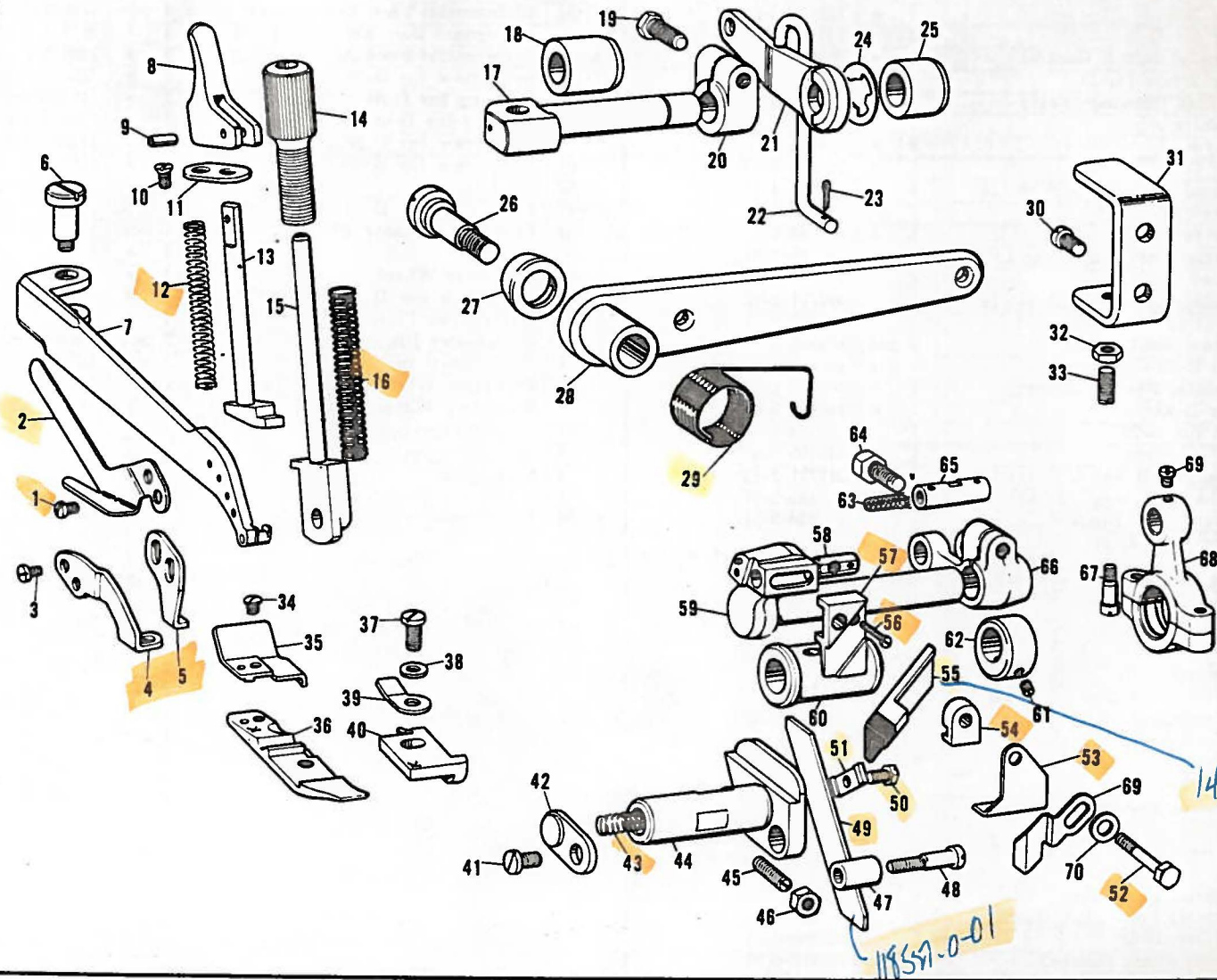


PARTS LIST for EF4-B956-01 and -01C

D 9

Ref. No.	Name of Parts	Q'ty	Parts No.	Assembly No.	Ref. No.	Name of Parts	Q'ty	Parts No.	Assembly No.
D-1	Set Screw for D-4	2 pcs.	100541-0-02		D-46	Steel Wire 0.32x70	2 pcs.	140774-0-00	
D-2	Nut for D-5	2 "	110161-0-04		D-54	Differential Feed Link Lever	1 pce.	142588-0-01	
D-3	Washer for D-2	2 "	113431-0-02		D-55	Hexagonal Bolt SM 6.35-40x14	1 "	017771-4-12	
D-4	Differential Stitch Control	1 pce.	140228-0-01		D-56	Differential Feed Adjusting Lever	1 "	140775-0-01	
D-5	Stopper Screw for D-4	2 pcs.	140229-0-01		D-57	Set Screw for D-58	1 "	100539-0-03	
D-6	Feed Shaft Bushing (Left)	1 pce.	140185-0-00		D-58	Bushing for D-56	1 "	140226-0-01	
D-7	Feed Shaft	1 "	140184-0-01		D-59	Washer for D-60	1 "	116662-0-01	
D-8	Feed Arm	1 "	140179-0-01		D-60	Set Screw for D-56	1 "	143287-0-01	
D-9	Pin for D-8	1 "	140178-0-01		D-61	Set Screw for D-62	1 "	100251-0-01	
D-10	Hexagonal Bolt SM 6.35-40x14	1 "	017771-4-12		D-62	Feed Rod	1 "	142260-0-01	
D-11	Set Screw for D-13	1 "	003670-6-14		D-63	Set Screw for D-64	2 pcs.	111104-0-01	
D-12	Washer for D-13	1 "	141188-0-01		D-64	Feed Rod Presser Plate	1 pce.	140176-0-01	
D-13	Differential Feed Adjusting Link	1 "	142589-0-01		D-65	Gib	1 "	140166-0-00	
D-14	Wick 6x6 (135)	1 "	140420-0-00		D-66	Eccentric Wheel	1 "	140163-0-01	
D-15	Hexagonal Bolt SM 6.35-40x12	1 "	017771-2-12		D-68	Set Screw for D-69	1 "	104767-0-02	
D-16	Differential Feed Arm	1 "	140212-0-01		D-69	Gib Holder Plate	1 "	140168-0-01	
D-17	Set Screw for D-18	2 pcs.	109836-0-01	140211-0-01	D-70	Gib Holder Pin	2 pcs.	140167-0-01	
D-18	Cap for D-19	1 pce.	140214-0-01		D-71	Slide Block for D-72	1 pce.	140165-0-01	
D-19	Differential Feed Adjuster	1 "	140213-0-01		D-72	Eccentric Wheel Holder	1 "	140169-0-01	
D-20	Nut for D-33	1 "	143565-0-01		D-73	Eccentric Wheel Adjusting Cam	1 "	142194-0-01	
D-21	Washer for D-20	1 "	100579-0-02		D-74	Ripple Type Spring	1 "	140173-0-01	142190-0-01
D-22	Main Feed Arm	1 "	140205-0-01		D-75	Spring Presser Ring	1 "	140174-0-01	
D-23	Hexagonal Bolt SM 6.35-40x12	1 "	017771-2-12		D-76	Stop Ring	1 "	048170-1-43	for 3.6mm
D-24	Feed Shaft Bushing (Right)	1 "	140186-0-00		D-77	Set Screw for D-72	2 pcs.	100025-0-01	
D-25	Feed Bar Guide Block	1 "	140928-0-01		D-78	Feed Adjusting Shaft	1 pce.	140182-0-01	
D-26	Set Screw for D-27	2 pcs.	101706-0-00		D-79	Stop Ring	1 "	109574-0-01	
D-27	Set Collar for D-28	1 pce.	104521-0-01	181995-0-01	D-80	Feed Adjusting Spring	1 "	140183-0-01	
D-28	Main Feed Bar Guide Block Shaft	1 "	140202-0-01		D-81	Wick 3x3 (20)	1 "	142673-0-00	
D-29	Set Screw for D-28	1 "	105163-0-01		D-82	Wick 3x3 (130)	1 "	142674-0-01	
D-30	Steel Wire 0.32x70	2 pcs.	140774-0-00		D-83	Feed Lifting Slide Block	1 "	140196-0-00	
D-31	Felt for D-36	1 pce.	140771-0-01		D-84	Feed Bar Guide (Left)	1 "	142574-0-01	
D-32	Washer for D-33	1 "	140208-0-01		D-85	Feed Bar Guide (Right)	1 "	140197-0-01	
D-33	Main Feed Link Shaft (Large)	1 "	143564-0-01		D-86	Washer for D-87	4 pcs.	403387-0-01	
D-34	Main Feed Link Shaft (Small)	1 "	140210-0-01		D-87	Set Screw for D-85	4 "	107407-0-02	
D-35	Main Feed Link Bushing	1 "	140207-0-01		D-88	Set Screw for D-89	1 pce.	009681-2-12	
D-36	Main Feed Link	1 "	140209-0-01		D-89	Differential Feed Dog	1 "	140452-0-01	•
D-37	Main Feed Bar	1 "	140190-0-01	140189-0-01	D-90	Set Screw for D-91	1 "	140193-0-01	
D-38	Differential Feed Bar	1 "	140191-0-01		D-91	Main Feed Dog	1 "	140450-0-01	•
D-39	Slide Plate for D-25	1 "	140203-0-01		D-92	Chain Feed Dog	1 "	142197-0-01	•
D-40	Round Head Screw SM 3.18-40x7	1 "	005660-7-13						
D-41	Felt for D-42	1 "	140772-0-01						
D-42	Differential Feed Link	1 "	140215-0-01						
D-43	Differential Feed Link Bushing	1 "	140216-0-01						
D-44	Washer for D-42	1 "	140208-0-01						
D-45	Feed Link Shaft (Large)	1 "	140217-0-01						

E



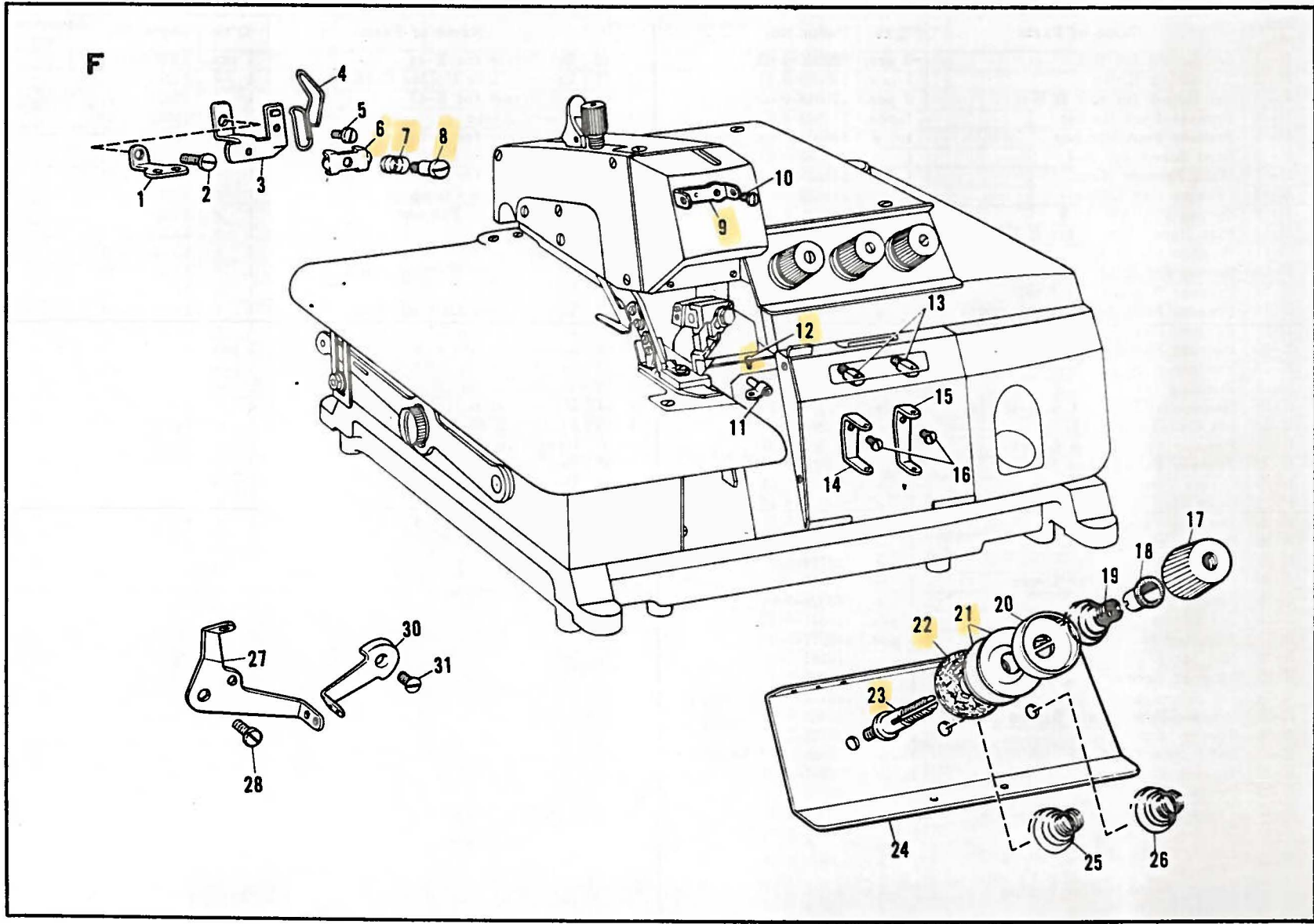
140242-0-01

118571-0-01

PARTS LIST for EF4-B956-01 and -01C

E11

Ref. No.	Name of Parts	Q'ty	Parts No.	Assembly No.	Ref. No.	Name of Parts	Q'ty	Parts No.	Assembly No.
E-1	Set Screw for E-2	2 pcs.	120048-0-02		E-45	Set Screw for E-44	1 pce.	120823-0-01	
E-2	Trimming Knife	1 pce.	140888-0-01		E-47	Lower Knife Holder Guide	1 "	140247-0-01	
E-3	Set Screw for E-4 & E-5	2 pcs.	120048-0-02		E-48	Set Screw for E-47	1 "	104215-0-01	
E-4	Presser Foot Holder	1 pce.	113392-0-01		E-49	Lower Knife	1 "	118527-0-01	
E-5	Presser Foot Stopper	1 "	140504-0-01		E-50	Set Screw for E-51	1 "	117516-0-01	
E-6	Stud Screw for E-7	1 "	140267-0-01		E-51	Lower Knife Holding Plate	1 "	117515-0-01	
E-7	Main Presser Arm	1 "	140459-0-01		E-52	Set Screw for E-57	1 "	140457-0-01	
E-8	Presser Bar Lifter	1 "	140252-0-01		E-53	Upper Knife Clamp (B)	1 "	140241-0-01	
E-9	Spring Pin AW 2x8	1 "	047200-8-47		E-54	Upper Knife Fastener	1 "	140240-0-01	
E-10	Flat Head Screw for E-11	1 "	102843-0-01		E-55	Upper Knife (B)	1 "	140242-0-01	
E-11	Washer for E-8	1 "	140253-0-01		E-56	Set Screw for E-57	1 "	106556-0-01	
E-12	Spring for E-13	1 "	140255-0-01		E-57	Upper Knife Holding Block	1 "	140455-0-01	
E-13	Presser Bar Lifting Shaft	1 "	140254-0-01		E-58	Nut for E-57	1 "	140238-0-01	
E-14	Presser Foot Adjusting Screw	1 "	140249-0-01		E-59	Upper Knife Driving Arm	1 "	143320-0-01	
E-15	Presser Bar	1 "	140250-0-01		E-60	Bushing for E-59	1 "	140235-0-00	
E-16	Presser Bar Spring	1 "	140251-0-01		E-61	Set Screw SM 5.56-32x6	2 pcs.	013750-6-14	
E-17	Presser Arm Shaft	1 "	140264-0-01		E-62	Set Collar for E-59	1 pce.	140236-0-01	
E-18	Bushing for E-17	1 "	140263-0-00		E-63	Wick 6x6 (44)	1 "	140317-0-00	
E-19	Hexagonal Bolt SM 6.35-40x14	1 "	017771-4-12		E-64	Hexagonal Bolt SM 6.35-40x14	1 "	017771-4-12	
E-20	Set Collar for E-17	1 "	140261-0-01		E-65	Pin for E-69	1 "	140232-0-01	
E-21	Presser Foot Lifter Lever	1 "	143327-0-01		E-66	Upper Knife Driving Lever	1 "	140233-0-01	
E-22	Presser Foot Lifter Ring	1 "	143326-0-01		E-67	Set Screw for E-68	2 pcs.	110686-0-01	140230-0-01
E-23	Cotter Pin	1 "	110793-0-01		E-68	Upper Knife Driving Rod	1 pce.	140231-0-00	
E-24	Stop Ring	1 "	048080-3-46		E-69	Set Screw for E-68	1 "	100366-0-01	
E-25	Bushing (Right) for E-17	1 "	140262-0-00		E-70	Upper Knife Guard	1 "	143442-0-01	
E-26	Presser Foot Lifter Stud	1 "	143324-0-01		E-71	Washer for E-70	1 "	100645-0-03	
E-27	Cap for E-26	1 "	142119-0-01						
E-28	Presser Foot Lifter Lever	1 "	143323-0-01						
E-29	Spring for E-28	1 "	143325-0-01						
E-30	Set Screw for E-31	2 pcs.	100541-0-02						
E-31	Adjuster for E-28	1 pce.	140277-0-01						
E-32	Nut for E-33	1 "	110161-0-01						
E-33	Stopper Screw for E-28	1 "	106069-0-03						
E-34	Set Screw for E-25	1 "	100105-0-02						
E-35	Presser Foot Chain Shield (K)	1 "	140463-0-01						
E-36	Presser Foot (K)	1 "	140461-0-01						
E-37	Set Screw for E-39	1 "	100080-0-02	140460-0-01					
E-38	Washer for E-37	1 "	110807-0-01						
E-39	Presser Foot Hinge Spring	1 "	110806-0-01						
E-40	Presser Foot Stitch Tongue (K)	1 "	140462-0-01						
E-41	Set Screw for E-43	1 "	100541-0-02						
E-42	Lower Knife Holder Spring Stopper	1 "	140248-0-01						
E-43	Lower Knife Holder Spring	1 "	140246-0-01						
E-44	Lower Knife Holder	1 "	140458-0-01						

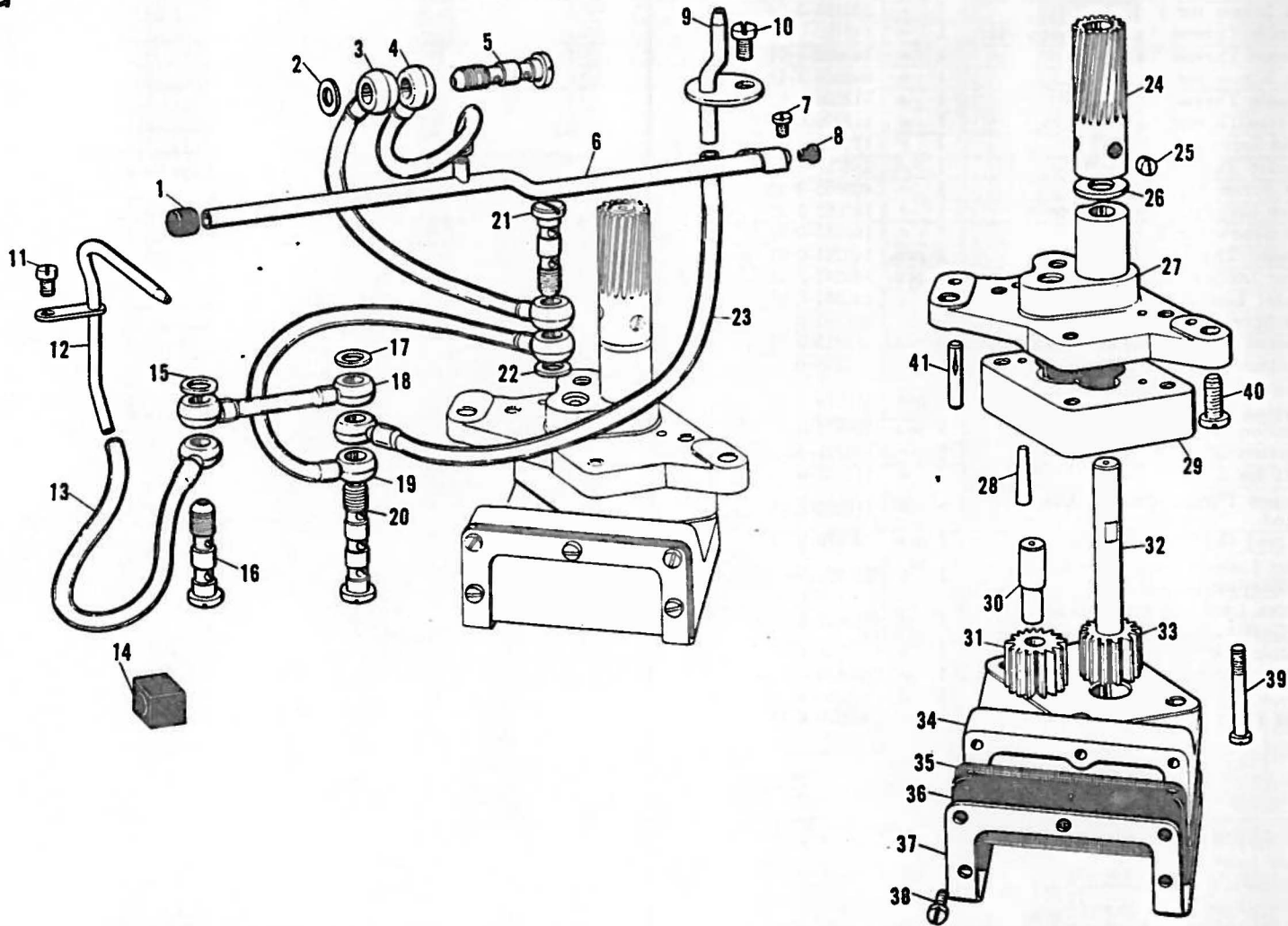


PARTS LIST for EF4-B956-01 and -01C

F13

Ref. No.	Name of Parts	Q'ty	Parts No.	Assembly No.	Ref. No.	Name of Parts	Q'ty	Parts No.	Assembly No.
F-1	Needle Thread Guide (B)	1 pce.	140103-0-01	.					
F-2	Set Screw for F-1, 3	1 //	100185-0-04	.					
F-3	Needle Thread Take-up Supporter	1 //	140102-0-01	.					
F-4	Needle Thread Take-up	1 //	142602-0-01	.					
F-5	Set Screw for F-4	1 //	009669-3-13	.					
F-6	Needle Thread Guard	1 //	112300-0-01	.					
F-7	Needle Thread Guard Spring	1 //	112299-0-01	.					
F-8	Stud Screw for F-6	1 //	112301-0-01	.					
F-9	Needle Thread Guide (A)	1 //	143757-0-01	.					
F-10	Set Screw for F-9	1 //	403865-0-02	.					
F-11	Over Looper Thread Guide (B)	1 //	142669-0-01	.					
F-12	Set Screw for F-11	1 //	100035-0-01	.					
F-13	Looper Thread Guide	2 pcs.	140281-0-01	.					
F-14	Over Looper Thread Guide (A)	1 pce.	140282-0-01	.					
F-15	Under Looper Thread Guide (A)	1 //	140284-0-01	.					
F-16	Set Screw for F-14, 15	1 //	100185-0-04	.					
F-17	Thread Tension Adjusting Screw	3 pcs.	110816-0-01	.					
F-18	Tension Spring Washer	3 //	105228-0-01	.					
F-19	Needle Thread Tension Adjusting Spring	1 pce.	110815-0-01	.					
F-20	Tension Disc Washer	3 pcs.	109814-0-01	.					
F-21	Tension Disc	6 //	108721-0-01	.					
F-22	Felt for F-21	3 //	110832-0-01	.					
F-23	Looper Thread Tension Control Stud	3 //	110820-0-01	.					
F-24	Thread Guide Plate	1 pce.	140278-0-01	.					
F-25	Over Looper Thread Tension Adjusting Spring	1 //	110821-0-01	.					
F-26	Under Looper Thread Tension Adjusting Spring	1 //	110822-0-01	.					
F-27	Looper Thread Take-up (Left)	1 //	143168-0-01	.					
F-28	Set Screw for F-27	1 //	105123-0-01	.					
F-30	Looper Thread Take-up (Right)	1 //	140286-0-01	.					
F-31	Flat Head Screw SM 3.57-40x6	1 //	003670-6-14	.					

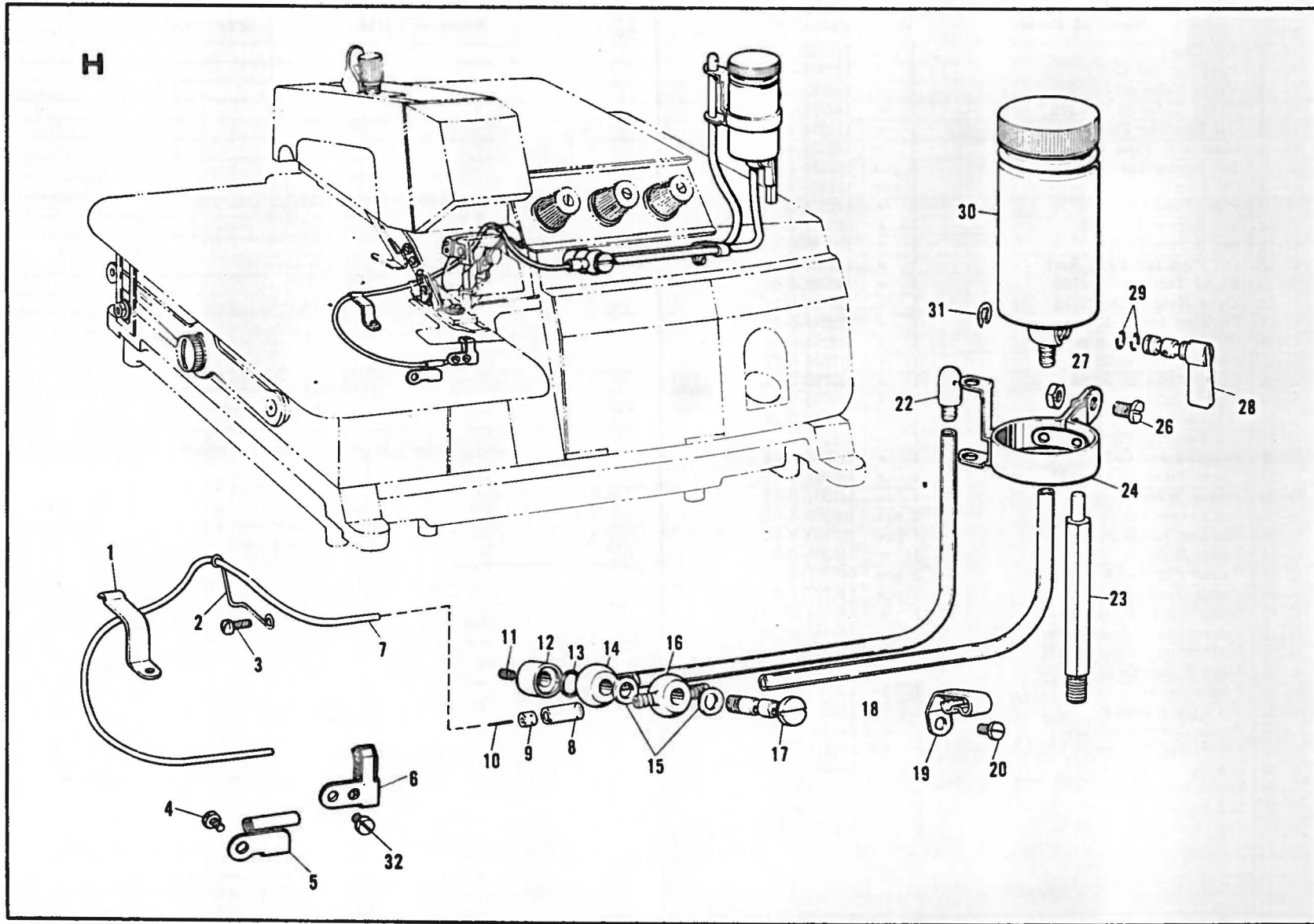
G



PARTS LIST for EF4-B956-01 and -01C

G15

Ref. No.	Name of Parts	Q'ty	Parts No.	Assembly No.	Ref. No.	Name of Parts	Q'ty	Parts No.	Assembly No.
G-1	Oil Cap	1 pce.	140325-0-01						
G-2	Packing for G-5	1 "	112348-0-01						
G-3	Vinyl Tube (A) 6φ×230	1 "	140780-0-01						
G-4	Vinyl Tube (B) 6φ×180	1 "	140781-0-01						
G-5	Oil Feeding Pipe (B)	1 "	112364-0-01						
G-6	Main Oil Pipe	1 "	143534-0-01						
G-7	Set Screw for G-6	2 pcs.	100185-0-03						
G-8	Oil Cap	1 pce.	104833-0-01						
G-9	Pilot Pipe	1 "	140314-0-01						
G-10	Set Screw for G-9	1 "	100541-0-01						
G-11	Set Screw G-12	1 "	100185-0-03						
G-12	Oil Pipe for Feed Rod	1 "	140764-0-01						
G-13	Vinyl Tube (B) 6φ×180	1 "	140782-0-01						
G-14	Tube Holder for G-13	1 "	140768-0-01						
G-15	Packing for G-16	1 "	112348-0-01						
G-16	Oil Feeding Pipe (B)	1 "	112364-0-01						
G-17	Packing for G-20	1 "	112348-0-01						
G-18	Vinyl Tube (D) 6φ×50	1 "	140778-0-01						
G-19	Vinyl Tube (A) 6φ×230	1 "	140780-0-01						
G-20	Oil Feeding Pipe (A)	1 "	112351-0-01						
G-21	Oil Feeding Pipe (B)	1 "	112364-0-01						
G-22	Packing for G-21	1 "	112348-0-01						
G-23	Vinyl Tube (C) 6φ×230	1 "	140782-0-01						
G-24	Worm Wheel	1 "	140301-0-00						
G-25	Set Screw for G-24	2 pcs.	100260-0-01						
G-26	Washer for G-24	1 pce.	107153-0-01						
G-27	Pump Body	1 "	140306-0-00						
G-28	Taper Pin 3×18 for G-29	2 pce.	046301-8-20						
G-29	Pump Case	1 pce.	140307-0-00						
G-30	Subordinate Pump Shaft	1 "	140304-0-01						
G-31	Subordinate Pump Gear	1 "	140468-0-01						
G-32	Main Pump Gear Shaft	1 "	140303-0-01	140302-0-01					
G-33	Main Pump Gear	1 "	140305-0-01						
G-34	Pump Cover	1 "	140308-0-00						
G-35	Oil Filter Gauze	1 "	140309-0-00						
G-36	Pump Cover Packing	1 "	140310-0-01						
G-37	Oil Filter Flange	1 "	140311-0-00						
G-38	Set Screw for G-37	9 pcs.	100185-0-03						
G-39	Set Screw for G-34	4 "	140312-0-01						
G-40	Set Screw for G-27	2 "	105173-0-03						
G-41	Pin 3×16 for G-27	2 "	508693-0-01						



NEEDLE COOLER DEVICE FOR B956-01C, -09C and -11C

H17

Ref. No.	Name of Parts	Q'ty	Parts No.	Assembly No.	Ref. No.	Name of Parts	Q'ty	Parts No.	Assembly No.
H- 1	Vinyl Tube Stopper	1 pce.	142286-0-01						
H- 2	Vinyl Tube Holder	1 "	142285-0-01						
H- 3	Set Screw SM 3.18-40x6	1 "	009660-6-14						
H- 4	Set Screw for Felt Holder	1 "	100185-0-04						
H- 5	Tube Guide	1 "	143760-0-01						
H- 6	Felt holder	1 "	143912-0-01						
H- 7	Vinyl Tube 0.5φ	1 "	142288-0-00						
H- 8	Vinyl Tube 6φx13	1 "	142290-0-00						
H- 9	Connector Tip	1 "	142280-0-00						
H-10	Cooler Oil Adjusting Pin	1 "	142412-0-00						
H-11	Cap for H-12	1 "	140326-0-01						
H-12	Oil Feeding Connector Collar	1 "	142282-0-01						
H-13	Packing for H-14	1 "	104564-0-01						
H-14	Vinyl Tube 6φx180	1 "	142317-0-01						
H-15	Packing for H-16	2 pcs.	112348-0-01						
H-16	Oil Feeding Connector (Double)	1 pce.	142281-0-01						
H-17	Oil Feeding Connector	1 "	142292-0-01						
H-18	Vinyl Tube 6φx151	1 "	142318-0-00						
H-19	Vinyl Tube Holder	1 "	142284-0-01						
H-20	Screw for H-19	1 "	100185-0-04						
H-22	Air Vent Receptacle	1 "	142321-0-01						
H-23	Oil Tank Holding Bolt	1 "	142316-0-01						
H-24	Oil Tank Holder	1 "	142787-0-01						
H-26	Set Screw for H-24	2 pcs.	110191-0-01						
H-27	Nut for H-26	2 "	110161-0-03						
H-28	Oil Cock	1 pce.	142330-0-01						
H-29	Packing for H-28	2 pcs.	081004-0-70						
H-30	Oil Tank	1 pce.	142229-0-01						
H-31	Stop Ring for H-28	1 "	048050-3-47						
H-32	Set Screw for H-6	2 pcs.	100035-0-02						

PARTS LIST for EF4-B956-11 and -11C (TWO THREADS)

I 18

This chart shows the different parts from Model EF4-B956-01 and -01C
Other parts are same as EF4-B956-01 and -01C

Ref. No.	Name of Parts	Q'ty	Parts No.	Assembly No.
I-4	Needle Thread Take-up (for Two Threads)	1 pce.	142201-0-01	
I-5	Set Screw for K-6	1 //	100105-0-02	
I-6	Presser Foot (Rear)	1 //	142762-0-01	
I-7	Set Screw for K-9	1 //	100080-0-02	
I-8	Washer for K-9	1 //	110807-0-01	143153-0-01
I-9	Presser Foot Hinge Spring	1 //	110806-0-01	
I-10	Stitch Tongue	1 //	143155-0-01	
I-11	Presser Foot (Front)	1 //	143154-0-01	
I-12	Upper Knife (B)	1 //	140242-0-01	
I-13	Upper Knife Clamp (B)	1 //	140241-0-01	
I-14	Spreader for Two Threads	1 //	143151-0-01	
I-15	Needle Plate (M5)	1 //	143150-0-01	
I-17	Differential Feed Dog (M5)	1 //	140453-0-01	
I-18	Main Feed Dog (M5)	1 //	140451-0-01	
I-19	Chin Feed Dog (M5)	1 //	143152-0-01	
I-20	Edge Hemming Ruler	1 //	143157-0-01	
I-21	Set Screw for K-20	1 //	107491-0-02	
I-22	Edge Hemming Ruler Set Plate	1 //		
I-23	Pin for K-22	1 //	143158-0-01	143156-0-01
I-24	Edge Hemming Ruler Bracket	1 //		
I-25	Base Plate for K-20	1 //	143160-0-01	
I-26	Set Screw for K-25	2 pcs.	106568-0-01	
I-27	Set Screw for K-24	2 //	101629-0-02	
I-28	Model Plate (B956-11)	1 pce.	143544-0-01	
I-29	Model Plate (B956-11C)	1 //	143545-0-02	
I-30	Feed Rod	1 //	142260-0-01	
I-31	Set Screw for K-32	2 pcs.	111104-0-01	
I-32	Feed Rod Presser Plate	1 pce.	140176-0-01	
I-33	Gib	1 //	140166-0-0C	
I-34	Eccentric Wheel	1 //	140163-0-01	
I-35	Set Screw for K-36	1 //	140767-0-02	140447-0-01
I-36	Gib Holder Plate	1 //	140168-0-01	
I-37	Gib Holder Pin	2 pcs.	140167-0-0C	for 5mm
I-38	Slide Block for K-39	1 pce.	140165-0-01	
I-39	Eccentric Wheel Holder	1 //	140169-0-01	
I-40	Eccentric Wheel Adjusting Cam (5mm)	1 //	140448-0-01	
I-41	Ripple Type Spring	1 //	140173-0-01	
I-42	Spring Presser Ring	1 //	140174-0-01	
I-43	Stop Ring	1 //	048170-1-43	
I-44	Thread Diagram for Two Threads	1 //	143785-0-01	

